

PLUG IN TYPE TERMINAL BLOCK

ETB 81,83 SERIES

PITCH=5.0mm (0.197inch)

FILE133988(R)

FEATURES

- Special wire protector design to ensure reliable wire clamping
- Be capable of clamping a wide range of wire diameters
- The male connector of plug using a twin leaf phosphor bronze contact mates with the female socket
- The female socket is mounted and soldered to the P.C.B.
- Good for insertion & withdrawal
- UL 94V-0 grade fire retardant engineering plastic used for the housing

APPLICATIONS

- Security system
- Auto control system of instrument
- Electromechanical interface
- Telecommunication
- Game controller

SPECIFICATIONS

- Pitch: 5.0mm(0.197inch)
- Wire range: 12 AWG to 24 AWG
- Rated: 10 Amp, 300 VAC
- Housing material: Polyamide 66 (UL 94V-0) resin
- Terminals: Tin plated over Brass
- Screws: Zinc plated over Steel
- Wire cage: Nickel Plated over Zinc Alloy
- Wire protector: Tin plated over Brass
- Dielectric strength: 2000 VAC (Min.)
- Insulation resistance: 500 M Ω , 500 VDC



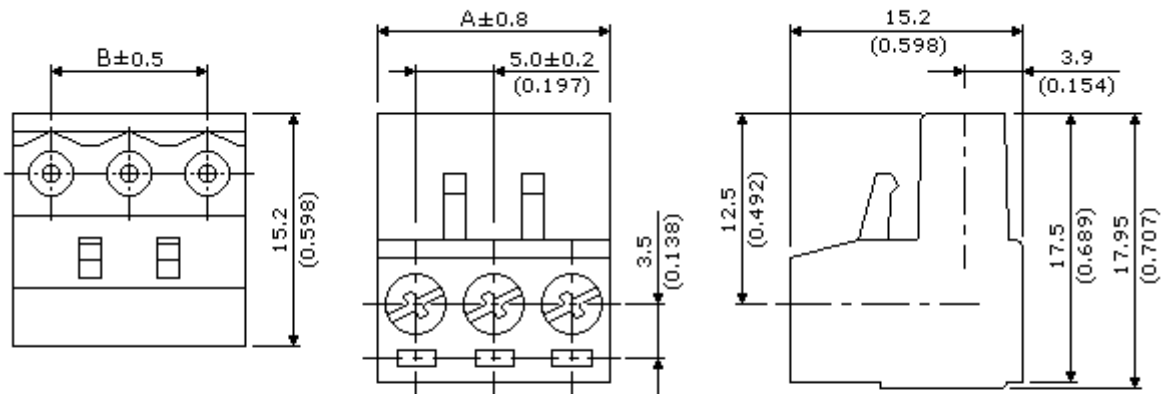
PART NUMBERING SYSTEM

ETB	81	03	0	G	0	00	X	
								+--- Z:Sn plated (lead free)
								+--- Special number
								+--- Screw type
								0:"+" screw
								1:"- " screw
								+--- Housing color:
								B:Blue, G:Green, K:Black
								+--- Terminal type:
								0:Body type
								1:Straight pin type
								2:Right angle type
								+--- Number of pins
								+--- Series: Dimensions and rated
								81:Male Connector of plug (Pitch=5.0mm)
								83:Female socket (Pitch=5.0mm)
								+--- Model

DRAWING

DIMENSIONS UNIT:mm(inch)

ETB81**0 SERIES

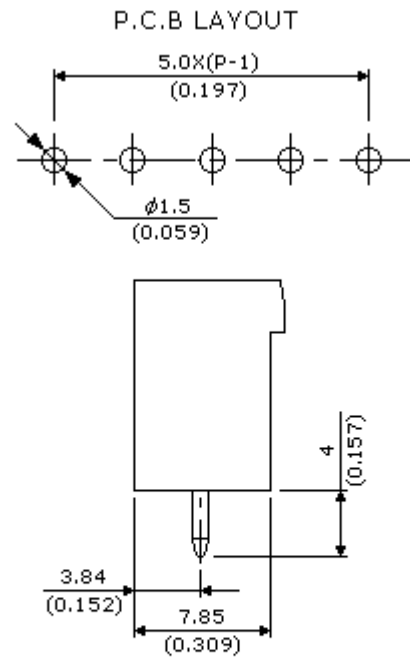
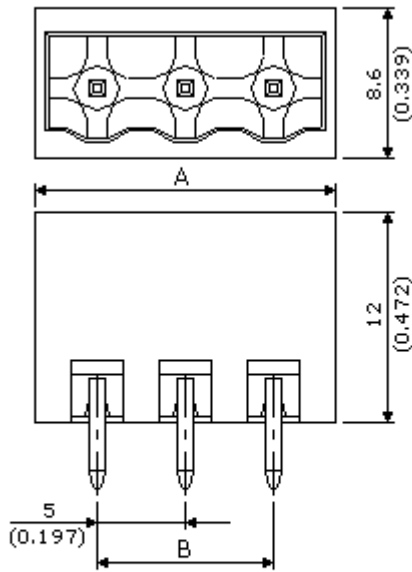


Pitch=5.0mm(0.197inch)

**NUMBER OF POLE 02~16.

POLE	2	3	4	5	6	7	8	9	10	11	12	13	14	15	16
A±0.8	10.0 (0.394)	15.0 (0.590)	20.0 (0.787)	25.0 (0.984)	30.0 (1.181)	35.0 (1.378)	40.0 (1.575)	45.0 (1.772)	50.0 (1.969)	55.0 (2.165)	60.0 (2.362)	65.0 (2.559)	70.0 (2.756)	75.0 (2.953)	80.0 (3.150)
B±0.5	5.0 (0.197)	10.0 (0.394)	15.0 (0.590)	20.0 (0.787)	25.0 (0.984)	30.0 (1.181)	35.0 (1.378)	40.0 (1.575)	45.0 (1.772)	50.0 (1.969)	55.0 (2.165)	60.0 (2.362)	65.0 (2.559)	70.0 (2.756)	75.0 (2.953)

DIMENSIONS UNIT:mm(inch)
ETB83**1 SERIES

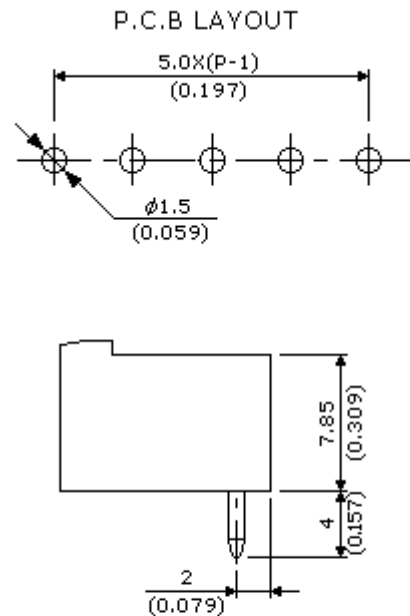
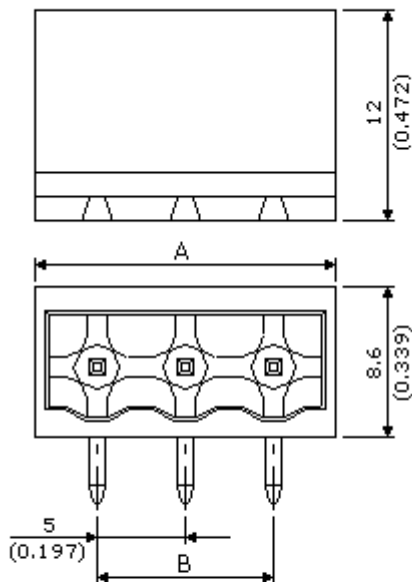


Pitch=5.0mm(0.197inch)

**NUMBER OF POLE 02~16.

POLE	2	3	4	5	6	7	8	9	10	11	12	13	14	15	16
A±0.8	12.0 (0.472)	17.0 (0.669)	22.0 (0.866)	27.0 (1.063)	32.0 (1.260)	37.0 (1.457)	42.0 (1.654)	47.0 (1.850)	52.0 (2.047)	57.0 (2.244)	62.0 (2.440)	67.0 (2.638)	72.0 (2.835)	77.0 (3.031)	82.0 (3.228)
B±0.5	5.0 (0.197)	10.0 (0.394)	15.0 (0.590)	20.0 (0.787)	25.0 (0.984)	30.0 (1.181)	35.0 (1.378)	40.0 (1.575)	45.0 (1.772)	50.0 (1.969)	55.0 (2.165)	60.0 (2.362)	65.0 (2.559)	70.0 (2.756)	75.0 (2.953)

DIMENSIONS UNIT:mm(inch)
ETB83**2 SERIES



Pitch=5.0mm(0.197inch)

**NUMBER OF POLE 02~16.

POLE	2	3	4	5	6	7	8	9	10	11	12	13	14	15	16
A±0.8	12.0 (0.472)	17.0 (0.669)	22.0 (0.866)	27.0 (1.063)	32.0 (1.260)	37.0 (1.457)	42.0 (1.654)	47.0 (1.850)	52.0 (2.047)	57.0 (2.244)	62.0 (2.440)	67.0 (2.638)	72.0 (2.835)	77.0 (3.031)	82.0 (3.228)
B±0.5	5.0 (0.197)	10.0 (0.394)	15.0 (0.590)	20.0 (0.787)	25.0 (0.984)	30.0 (1.181)	35.0 (1.378)	40.0 (1.575)	45.0 (1.772)	50.0 (1.969)	55.0 (2.165)	60.0 (2.362)	65.0 (2.559)	70.0 (2.756)	75.0 (2.953)